



VZ/VZL SERIES

RECIPROCATING COMPRESSORS

Since the manufacture of its first reciprocating compressor for the industrial refrigeration industry in 1921, Hasegawa has continually proven its commitment to the industrial refrigeration industry with more than 10,000 installations in more than 40 countries throughout the world. The Hasegawa SURELY® VZ/VZL reciprocating compressor series is suitable for a wide range of applications in the food and beverage industries, biotechnology, petrochemical industry, dairy industry, ice production, as well as a wide range of other applications. Hasegawa is also a leader in on-board refrigeration of deep sea fishing vessels, acquiring an 80% market share for close-coupled two-stage compressors meeting or exceeding all high-performance and reliability requirements essential for marine refrigeration systems.

Hasegawa manufactures the SURELY® VZ/VZL series reciprocating compressors in its state-of-the-art production facility applying unsurpassed fundamental quality standards whereby greater volumetric efficiencies, compactness, lightweight and ease-of-operation methods.

The SURELY® trademark has long been recognized in the industrial refrigeration industry for their efficiency and reliability. With highest quality and superior technology, SURELY® makes it a Hasegawa.

FEATURES

- 4, 6 and 8 cylinder compressors for single-stage or two-stage operation.
- Available for use with a wide range of refrigerants including R-717, R-22, R-507 and R-404A.
- The VZ series have a 5 13/64" bore and 4 11/64" stroke.
- The VZL series have a 5 13/64" bore and 5 13/64" stroke.
- 1200 RPM maximum speed (VZL series), 1250 RPM maximum speed (VZ series).
- Lower overall oil consumption.
- High-grade cast iron crankcase and cylinder covers precisely machined offering high durability.
- Heat-treated precision cast aluminum alloy pistons and piston rings that are lighter, stronger and superior in wear resistance.
- Pistons and piston rings can be easily removed without removing the sleeve.
- Rubber bellows-type mechanical seal offers minimal leakage, long-life due to SC-LBC and easy installation.
- Suction and discharge valve assemblies are easily serviced.
- Precision manufactured needle bearings specially hardened and polished increasing their average life.
- Simple oil-pressure type unloading system. The simple and durable unloading mechanism ensure precision operation and minimum maintenance.
- Spur gear-type oil pumps with reverse rotation capability.



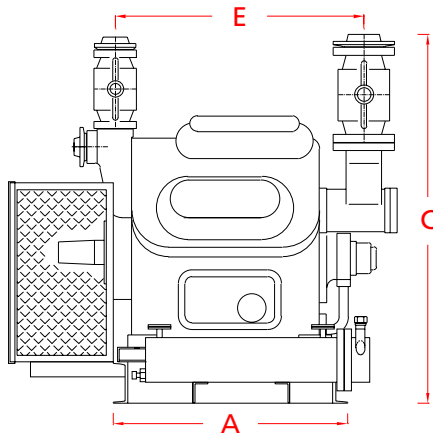
Superior Compressor Technology



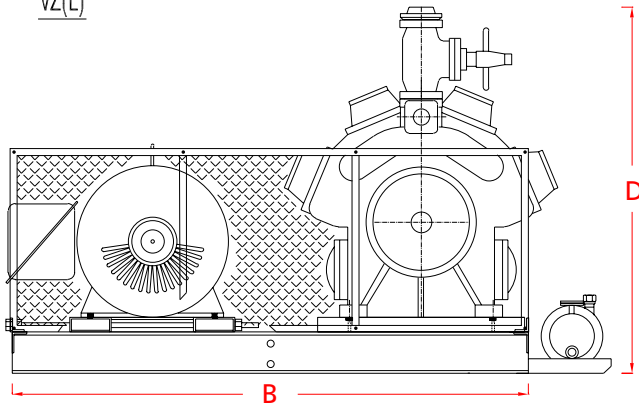
VZ/VZL PHYSICAL DATA							
MODEL			PHYSICAL DIMENSIONS (inches)				APPROX. WEIGHT WITHOUT MOTOR (LBS)
			A	B	C	D	
VZ	SINGLE STAGE	VZ6	63	39	11	84 1/2	3900
		VZ8	63	39	11	84 1/2	4065
	TWO STAGE	VZ42	55	39	11	84 1/2	4100
		VZ62	59	39	11	84 1/2	4100
VZL	SINGLE STAGE	VZL4	63	39	11	84 1/2	3900
		VZL8	63	39	13	84 1/2	4100
	TWO STAGE	VZL31	55	39	11	84 1/2	3900
		VZL62	59	39	13	84 1/2	4200

VZ/VZL COMPRESSOR RATINGS SINGLE STAGE COMPRESSORS					
MODEL	VZL4	VZ6	VZ8	VZL8	
NO. OF CYLINDERS	4	6	8	8	
MAX. REV. PER MIN. (RPM)	1200				
BORE (inches)	5 13/64				
STROKE (inches)	5 13/64	4 11/64	4 11/64	5 13/64	
DISPLACEMENT (CFM)	1200 RPM	308.7	368.8	491.7	617.3
*CAPACITY (TR)	R-717	66.5	79.9	106.6	132.7
	R-22	59.0	71.1	94.8	118.1
STEPS OF UNLOADING	4 - 2	6 - 4 - 2	6 - 4 - 2	8 - 6 - 4	
REFRIGERANT CONNECTIONS (inches)	SUCTION	3	4 1/2	4 1/2	4 1/2
	DISCHARGE	2 1/2	3	3 1/2	3 1/2
WEIGHT OF BARE COMPRESSOR (lb)	2272	2645	2865	2890	
OIL CHARGE (gallons)	8.5	8.5	8.5	8.5	

* Capacity based on the following conditions: R-717: 95°F Condensing temperature, 5°F Evaporating temperature, 1200 RPM; R-22: 105°F Condensing temperature, 5°F Evaporating temperature, 1200 RPM



VZ(L)



VZ/VZL COMPRESSOR RATINGS TWO STAGE COMPRESSORS						
MODEL	VZL31	VZ42	VZ62	VZL62		
NO. OF CYLINDERS	3 + 1	4 + 2	6 + 2	6 + 2		
MAX. REV. PER MIN. (RPM)	1200					
BORE (inches)	5 13/64					
STROKE (inches)	5 13/64	4 11/64	4 11/64	5 13/64		
DISPLACEMENT (CFM)	1200 RPM	L.S.	229.6	245.9	368.8	459.2
		H.S.	103.3	122.9	165.7	206.6
*CAPACITY (TR)	R-717		19.0	21.9	30.6	38.1
	R-22		59.0	71.1	94.8	118.1
STEPS OF UNLOADING	3 - 1	4 - 2	6 - 4 - 2	6 - 4 - 2		
REFRIGERANT CONNECTIONS (inches)	SUCTION	L.S.	3	3 1/2	4 1/2	4 1/2
		H.S.	2	2 1/2	3	3
	DISCHARGE	L.S.	2	2 1/2	3	3
		H.S.	1 1/2	2	2 1/2	2 1/2
WEIGHT OF BARE COMPRESSOR (lb)	2091	2670	2890	2910		
OIL CHARGE (gallons)	8.5	8.5	8.5	8.5		

* Capacity based on the following conditions: R-717: 95°F Condensing temperature, 5°F Evaporating temperature, 1200 RPM; R-22: 105°F Condensing temperature, 5°F Evaporating temperature, 1200 RPM

HASEGAWA REFRIGERATION, LTD.

17349 Bell North Drive, Suite 100, Schertz, TX 78154

PHONE: (210) 494-7673

FAX: (210) 494-9680

EMAIL: surely@hasegawa-usa.com

WEB SITE: www.hasegawa-usa.com