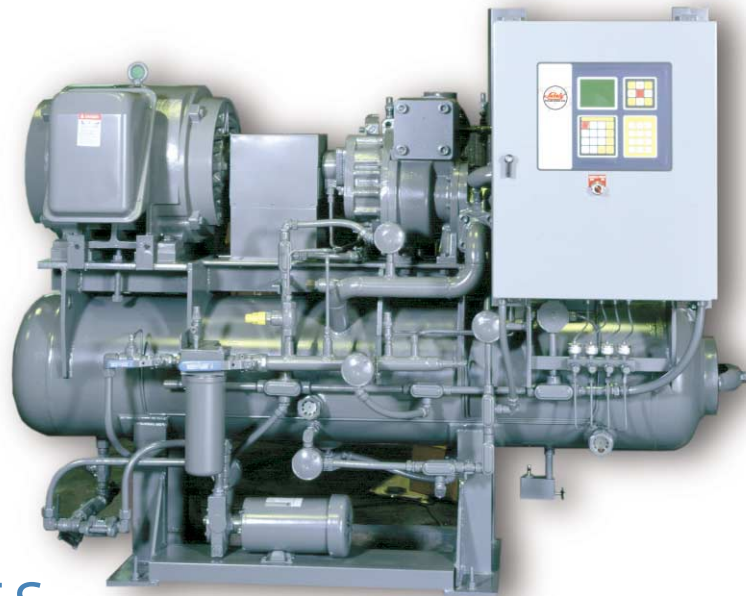




SX SERIES

SCREW COMPRESSOR PACKAGES

Hasegawa SURELY® SX series screw compressor packages consist of seven models ranging in capacity from 207 to 952 CFM. SX series screw compressor packages are suitable for a wide range of single-stage, booster or high-stage applications in the food and beverage industry, petrochemical industry, biotechnology, dairy industry and many more.



FEATURES

- Available for R-717, R-22, R-507, R-134A, R-404A and many other refrigerants.
- Thermosiphon, water-cooled or liquid injection oil cooling.
- Rolling element bearings with separate end covers allowing for easy access and service.
- Clockwise or counter-clockwise operation.
- Only single-stage units require start-up oil pump.
- Available with either adjustable volume index (MVi) for applications where pressure ratios across the compressor is consistently high or seldomly change or fully automatic volume index (AVi) system for applications where pressure ratios are lower or where condensing conditions vary frequently.
- Optional factory mounted pre-cooler or valve station for economized operation.
- Microprocessor control panel
- Compact design and easily accessible for service.
- Completely packaged prior to shipment on a structural steel base frame that can be moved into place for easy installation.
- Two year / 30-month standard warranty.

Superior Compressor Technology



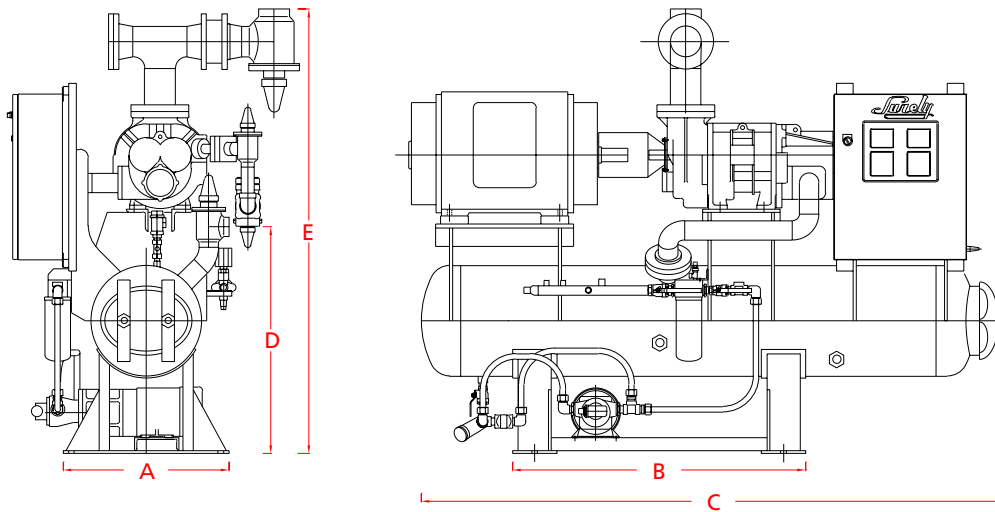
SX SERIES RATINGS

SURELY® Model Number	Single-stage		Booster		High-stage		Connections		Outline Dimensions		
	Cap. (TR)	Power (BHP)	Cap. (TR)	Power (BHP)	Cap. (TR)	Power (BHP)	Suct. (in)	Disch. (in)	Length (in)	Width (in)	Height (in)
SX1	16.6	71.0	19.2	23.1	67.4	82.5	4	2	95	51	67
SX2	23.7	95.5	26.9	31.1	94.5	113.7	4	2	95	51	67
SX3	30.2	121.4	33.8	39.2	118.8	146.7	4	2	95	51	67
SX4	38.4	143.3	41.1	46.4	141.3	166.0	5	3	108	52	80
SX5	46.9	172.9	49.9	46.1	172.5	199.6	5	3	108	52	80
SX8	81.1	295.3	88.8	96.5	313.9	341.4	6	4	130	56	93
SX9	86.1	330.4			335.9	369.5	6	4	130	56	93

Capacities based on the following:

Single-stage	: -40°F ET, +95°F CT, 3550 RPM, R-717, Liquid injection oil cooling
Booster	: -40°F ET, +15°F IT, 3550 RPM, R-717, Liquid injection oil cooling
High-stage	: +15°F ET, +95°F CT, 3550 RPM, R-717, Liquid injection oil cooling

SX SERIES PHYSICAL DATA



HASEGAWA REFRIGERATION, LTD.
 17349 Bell North Drive, Suite 100, Schertz, TX 78154
 PHONE: (210) 494-7673
 FAX: (210) 494-9680
 EMAIL: surely@hasegawa-usa.com
 WEB SITE: www.hasegawa-usa.com