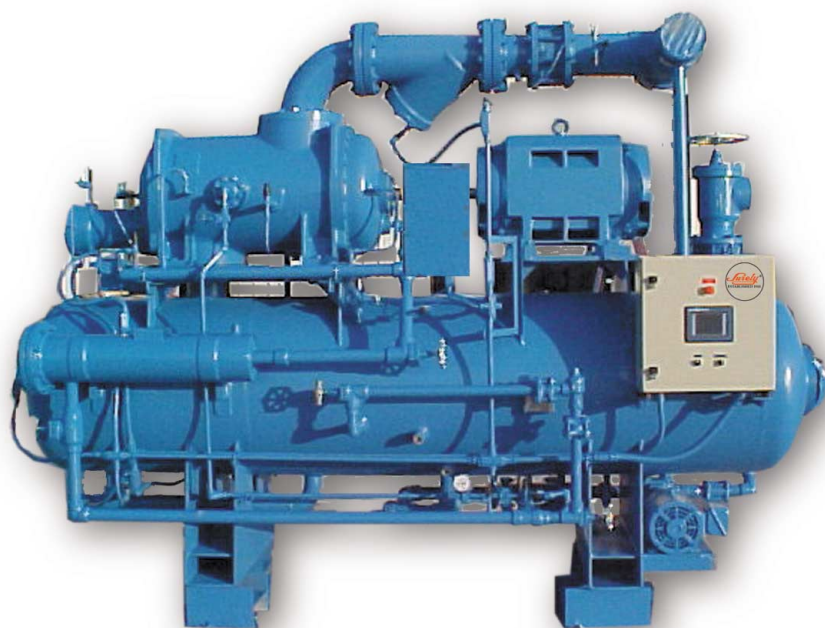




# SW SERIES

## SCREW COMPRESSOR PACKAGES

Hasegawa SURELY® SW series screw compressor packages consist of 11 models ranging in capacity from 390 to 3758 CFM. SW series screw compressor packages are suitable for a wide range of single-stage, booster or high-stage applications in the food and beverage industry, petrochemical industry, biotechnology, dairy industry and many more.



## FEATURES

- Available for R-717, R-22, R-507, R-134A, R-404A and many other refrigerants.
- Thermosiphon, water-cooled or liquid injection oil cooling.
- Sleeve bearings with separate end covers allowing for easy access and service.
- Oil injected seal.
- Full-time full flow oil pump
- Fixed volume index (Vi).
- Optional factory mounted pre-cooler or valve station for economized operation.
- Microprocessor control panel
- Compact design and easily accessible for service.
- Completely packaged prior to shipment on a structural steel base frame that can be moved into place for easy installation.
- Two year / 30-month standard warranty.

# Superior Compressor Technology



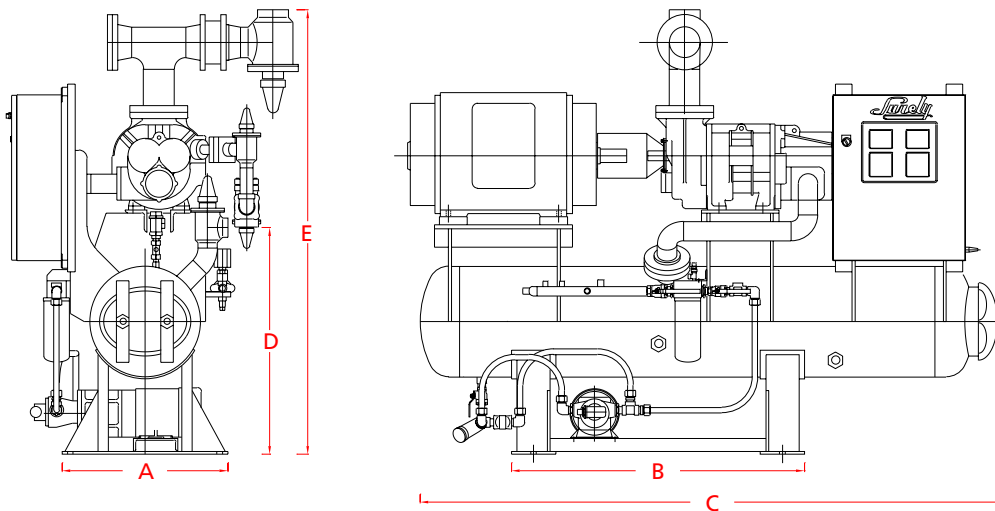
## SW SERIES RATINGS

SURELY® Model Number	Single-stage		Booster		High-stage		Connections		Outline Dimensions		
	Cap. (TR)	Power (BHP)	Cap. (TR)	Power (BHP)	Cap. (TR)	Power (BHP)	Suct. (in)	Disch. (in)	Length (in)	Width (in)	Height (in)
SW2	27.5	103.0			119.0	144.0	5	3	126	52	83
SW3	34.5	126.0	45.7	52.2	147.0	175.0	5	3	126	52	83
SW4	41.9	158.0	56.3	66.2	182.0	227.0	6	3	142	65	96
SW5	57.7	216.0	76.5	89.2	247.0	307.0	6	3	142	65	96
SW6	64.1	232.0	84.4	95.1	273.0	327.0	6	3	142	65	96
SW7	74.8	267.0	95.0	106.0	307.0	368.0	6	3	142	65	96
SW8	83.4	302.0	111.0	125.0	361.0	436.0	6	4	176	70	110
SW9	99.2	355.0	125.0	140.0	406.0	490.0	8	5	176	70	110
SW10	114.0	429.0	151.0	175.0	490.0	612.0	8	5	176	70	110
SW12	127.0	457.0	166.0	186.0			8	5	176	70	110
SW14	148.0	547.0	187.0	217.0	609.0	760.0	10	6	177	71	116

Capacities based on the following:

Single-stage	: -40°F ET, +95°F CT, 3550 RPM, R-717, Liquid injection oil cooling
Booster	: -40°F ET, +15°F IT, 3550 RPM, R-717, Liquid injection oil cooling
High-stage	: +15°F ET, +95°F CT, 3550 RPM, R-717, Liquid injection oil cooling

## SW SERIES PHYSICAL DATA



### HASEGAWA REFRIGERATION, LTD.

17349 Bell North Drive, Suite 100, Schertz, TX 78154

PHONE: (210) 494-7673

FAX: (210) 494-9680

EMAIL: [surely@hasegawa-usa.com](mailto:surely@hasegawa-usa.com)

WEB SITE: [www.hasegawa-usa.com](http://www.hasegawa-usa.com)